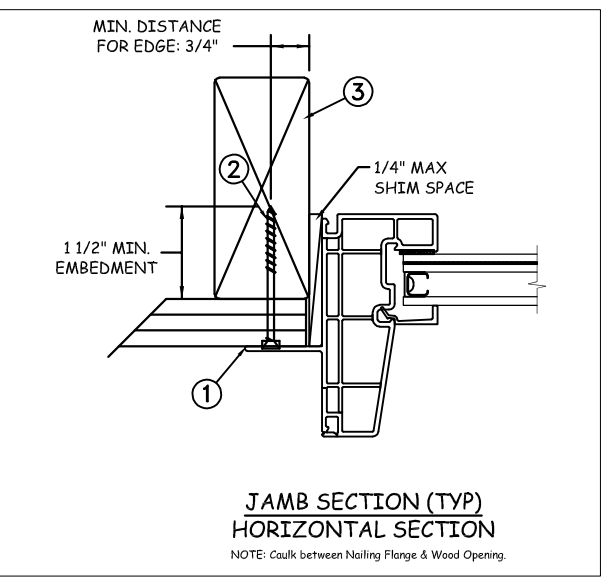


NAIL FIN INSTALLATION



Max Frame 48" x 84"	DP RATING +50/-55	IMPACT YES
WIND ZONE 2		

Installation Notes:

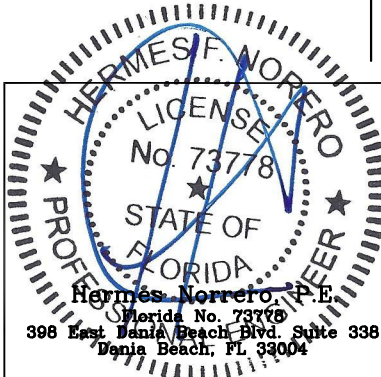
1. Seal flange/frame to substrate.
2. Use #8 PH or greater fastener through the nail fin with sufficient length to penetrate a minimum of 1 1/2" into the wood framing. For 2X wood frame substrate (min. S.G. = 0.42).
3. Host structure (wood buck, masonry, steel) to be designed and anchored to properly transfer all loads to the structure. The host structure is the responsibility of the architect or engineer of record for the project of installation.

General Notes:

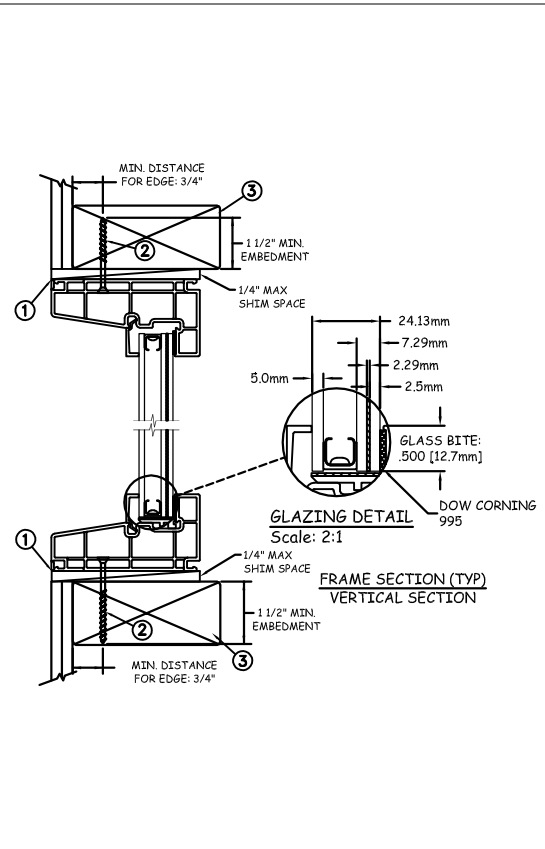
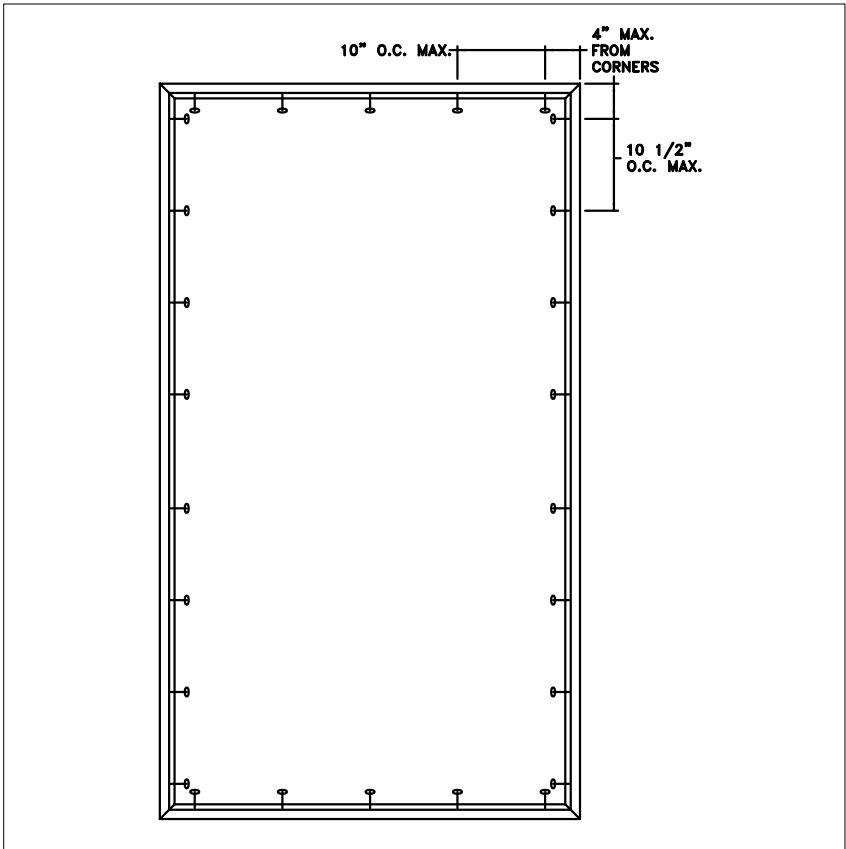
1. The product shown herein is designed, tested and manufactured to comply with the wind load criteria of the adopted International Building Code(IBC), the International Residential Code(IRC), the Florida Building Code(FBC) and the industry requirement for the stated conditions.
2. All glazing shall conform to ASTM E1300.
3. At minimum, glazing shall be 5.0mm annealed - 13.72mm airspace - 2.5mm annealed - 1.52mm PVB Interlayer by DuPont - 2.5mm annealed insulating glass.
4. Use structural or composite shims where required.

This schedule addresses only the fasteners required to anchor the window to achieve the rated design pressure up to the size limitations noted. It is not intended as a guide to the installation process and does not address the sealing consideration that may arise in different wall conditions. For the complete installation procedure, see the instructions packaged with the window or go to www.jeld-wen.com.

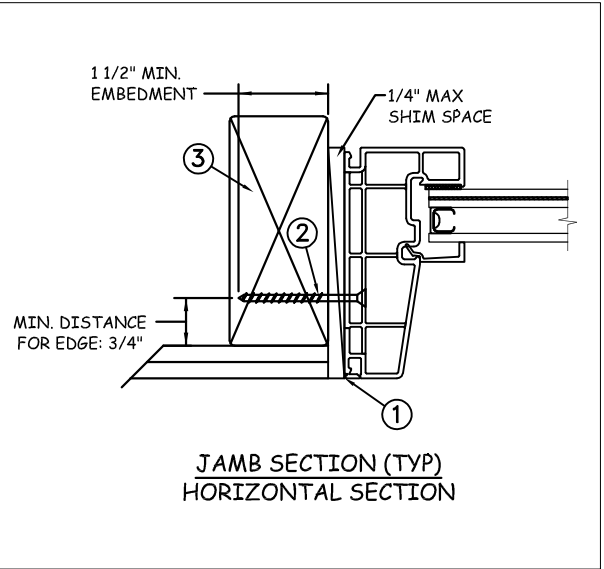
DISCLAIMER:
This drawing and its contents are confidential and are not to be reproduced or copied in whole or in part or used or disclosed to others except as authorized by JELD-WEN Inc.



PROJECT ENGINEER: ---	DATE: 07/19/17	<h1 style="margin: 0;">JELD-WEN</h1> <p style="font-size: small; margin: 0;">3737 Lakeport Blvd Klamath Falls, OR. 97601 Phone: (800) 535-3936</p>
DRAWN BY: A. MCMILLAN	SCALE: NTS	
CHECKED BY: J. GOOSSEN	TITLE: Premium Vinyl Fixed with Sloped Sill Impact Window - WZZ	
APPROVED BY: J. GOOSSEN		
PART/PROJECT No.:	D014630	
IDENTIFIER No. SJW2016-022	PLANT NAME AND LOCATION:	CAD DWG. No.: PremVinylFixSS Cert
	REV: A	SHEET 1 OF 4



**THROUGH FRAME
INSTALLATION**



Max Frame	DP RATING	IMPACT
48" x 84"	+50/-55	YES
WIND ZONE 2		

Installation Notes:

1. Seal flange/frame to substrate.
2. Use #8 PH or greater fastener through the frame with sufficient length to penetrate a minimum of 1 1/2" into the wood framing. For 2X wood frame substrate (min. S.G. = 0.42).
3. Host structure (wood buck, masonry, steel) to be designed and anchored to properly transfer all loads to the structure. The host structure is the responsibility of the architect or engineer of record for the project of installation.

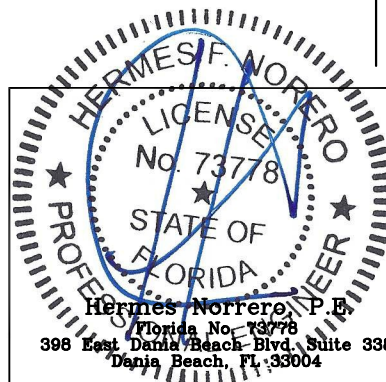
General Notes:

1. The product shown herein is designed, tested and manufactured to comply with the wind load criteria of the adopted International Building Code(IBC), the International Residential Code(IRC), the Florida Building Code(FBC) and the industry requirement for the stated conditions.
2. All glazing shall conform to ASTM E1300.
3. At minimum, glazing shall be 5.0mm annealed - 13.72mm airspace - 2.5mm annealed - 1.52mm PVB Interlayer by DuPont - 2.5mm annealed insulating glass.
4. Use structural or composite shims where required.

This schedule addresses only the fasteners required to anchor the window to achieve the rated design pressure up to the size limitations noted. It is not intended as a guide to the installation process and does not address the sealing consideration that may arise in different wall conditions. For the complete installation procedure, see the instructions packaged with the window or go to www.jeld-wen.com.

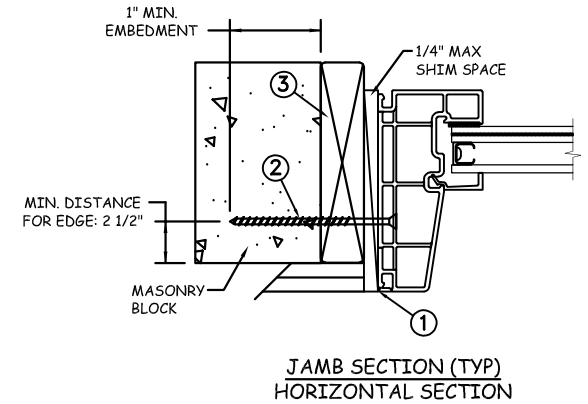
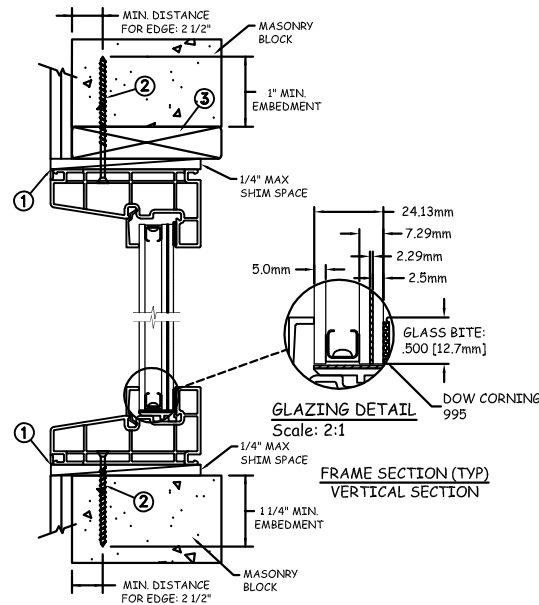
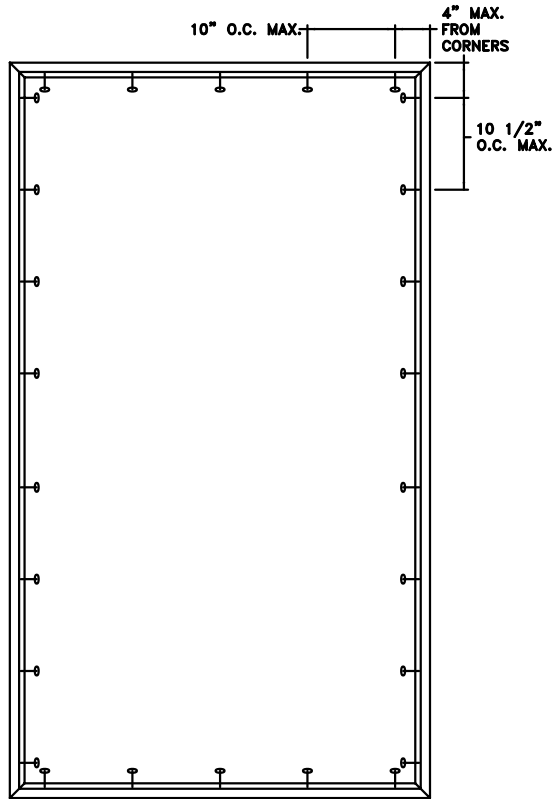
DISCLAIMER:

This drawing and its contents are confidential and are not to be reproduced or copied in whole or in part or used or disclosed to others except as authorized by JELD-WEN Inc.



PROJECT ENGINEER: ---	DATE: 07/19/17	JELD WEN 3737 Lakeport Blvd Klamath Falls, OR. 97601 Phone: (800) 535-3936
DRAWN BY: A. MCMILLAN	SCALE: NTS	
CHECKED BY: J. GOOSSEN	TITLE: Premium Vinyl Fixed with Sloped Sill Impact Window - WZZ	
APPROVED BY: J. GOOSSEN		
PART/PROJECT No.:		
IDENTIFIER No. SJW2016-022	PLANT NAME AND LOCATION:	CAD DWG. No.: PremVinylFixSS Cert
	REV: A	SHEET 2 OF 4

MASONRY INSTALLATION



Max Frame	DP RATING	IMPACT
48" x 84"	+50/-55	YES

WIND ZONE 2

Installation Notes:

1. Seal flange/frame to substrate.
2. Use 3/16" Tapcon or equivalent fasteners through frame with sufficient length to penetrate a minimum of 1 1/4" into concrete or masonry at each location with a 2 1/2" min from edge distance. For concrete (min. = 3000psi) or masonry (CMU shall conform to ASTM C90).
3. Host structure (wood buck, masonry, steel) to be designed and anchored to properly transfer all loads to the structure. The host structure is the responsibility of the architect or engineer of record for the project of installation.

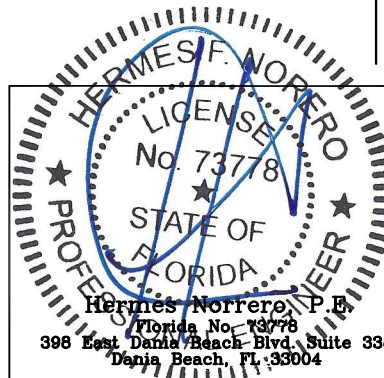
General Notes:

1. The product shown herein is designed, tested and manufactured to comply with the wind load criteria of the adopted International Building Code(IBC), the International Residential Code(IRC), the Florida Building Code(FBC) and the industry requirement for the stated conditions.
2. All glazing shall conform to ASTM E1300.
3. At minimum, glazing shall be 5.0mm annealed - 13.72mm airspace - 2.5mm annealed - 1.52mm PVB Interlayer by DuPont - 2.5mm annealed insulating glass.
4. Use structural or composite shims where required.

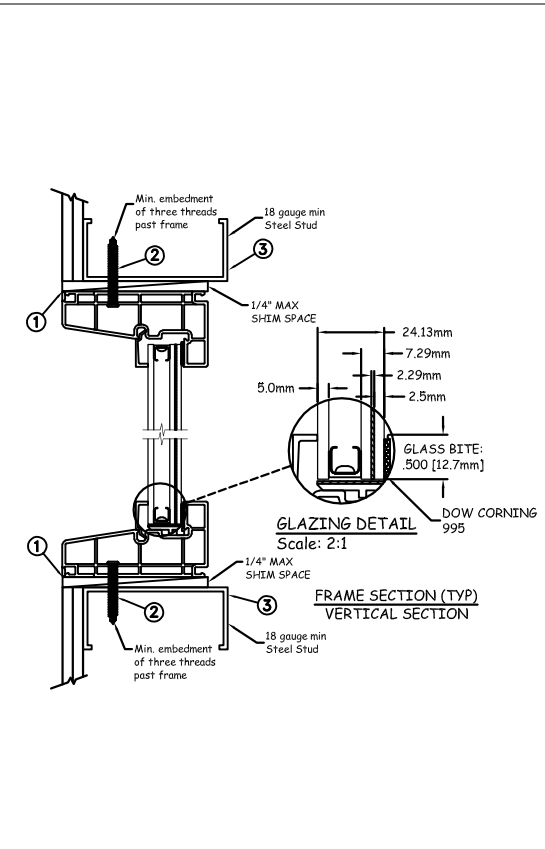
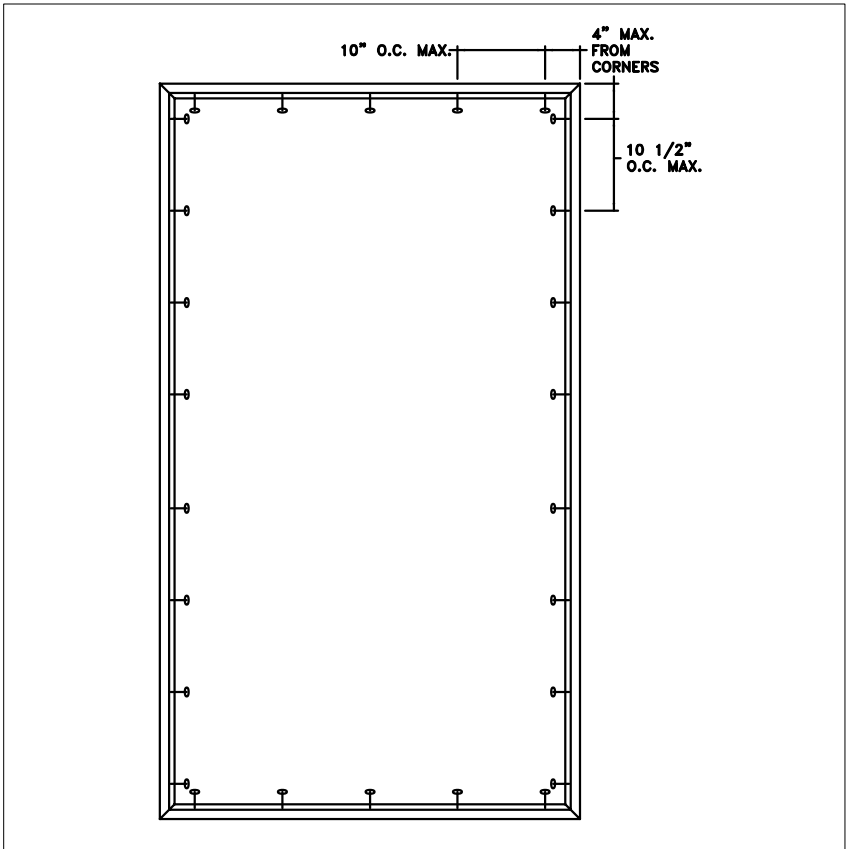
This schedule addresses only the fasteners required to anchor the window to achieve the rated design pressure up to the size limitations noted. It is not intended as a guide to the installation process and does not address the sealing consideration that may arise in different wall conditions. For the complete installation procedure, see the instructions packaged with the window or go to www.jeld-wen.com.

DISCLAIMER:

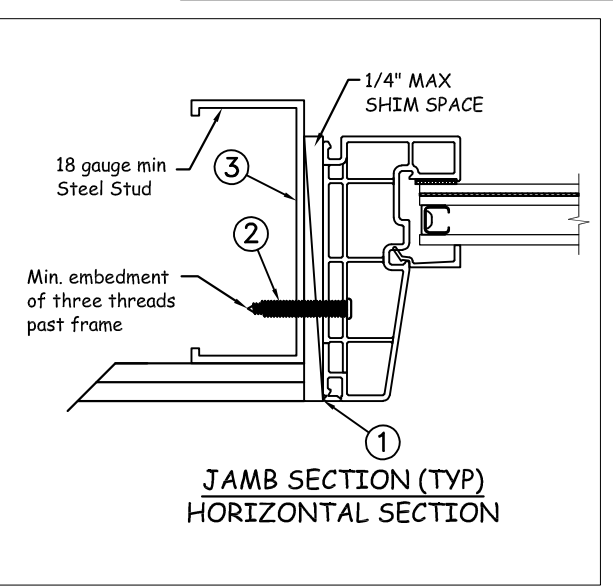
This drawing and its contents are confidential and are not to be reproduced or copied in whole or in part or used or disclosed to others except as authorized by JELD-WEN Inc.



PROJECT ENGINEER: ---	DATE: 07/19/17	JELD WEN 3737 Lakeport Blvd Klamath Falls, OR. 97601 Phone: (800) 535-3936
DRAWN BY: A. MCMILLAN	SCALE: NTS	
CHECKED BY: J. GOOSSEN	TITLE: Premium Vinyl Fixed with Sloped Sill Impact Window - WZZ	
APPROVED BY: J. GOOSSEN		
PART/PROJECT No.: D014630		
IDENTIFIER No. SJW2016-022	PLANT NAME AND LOCATION:	CAD DWG. No.: PremVinylFixSS Cert
	REV: A	SHEET 3 OF 4



STEEL INSTALLATION



Max Frame 48" x 84"	DP RATING +50/-55	IMPACT YES
WIND ZONE 2		

Installation Notes:

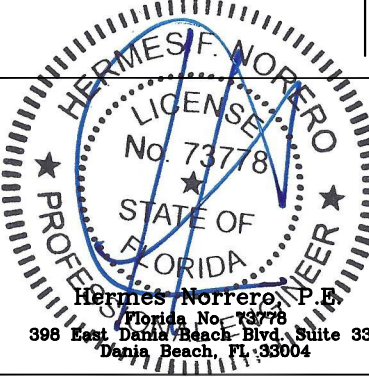
1. Seal flange/frame to substrate.
2. For anchoring into metal framing, use #8 TEK Self Tapping screws with sufficient length to achieve a minimum embedment of three threads past the frame thickness. Locate anchors as shown in elevations and installation details. Steel substrate min. 18ga., fy = 33 ksi.
3. Host structure (wood buck, masonry, steel) to be designed and anchored to properly transfer all loads to the structure. The host structure is the responsibility of the architect or engineer of record for the project of installation.

General Notes:

1. The product shown herein is designed, tested and manufactured to comply with the wind load criteria of the adopted International Building Code(IBC), the International Residential Code(IRC), the Florida Building Code(FBC) and the industry requirement for the stated conditions.
2. All glazing shall conform to ASTM E1300.
3. At minimum, glazing shall be 5.0mm annealed - 13.72mm airspace - 2.5mm annealed - 1.52mm PVB Interlayer by DuPont - 2.5mm annealed insulating glass.
4. Use structural or composite shims where required.

This schedule addresses only the fasteners required to anchor the window to achieve the rated design pressure up to the size limitations noted. It is not intended as a guide to the installation process and does not address the sealing consideration that may arise in different wall conditions. For the complete installation procedure, see the instructions packaged with the window or go to www.jeld-wen.com.

DISCLAIMER:
This drawing and its contents are confidential and are not to be reproduced or copied in whole or in part or used or disclosed to others except as authorized by JELD-WEN Inc.



PROJECT ENGINEER: ---	DATE: 07/19/17	<h1 style="margin: 0;">JELD-WEN</h1> <p style="font-size: small; margin: 0;">3737 Lakeport Blvd Klamath Falls, OR. 97601 Phone: (800) 535-3936</p>
DRAWN BY: A. MCMILLAN	SCALE: NTS	
CHECKED BY: J. GOOSSEN	TITLE: Premium Vinyl Fixed with Sloped Sill Impact Window - WZZ	
APPROVED BY: J. GOOSSEN		
PART/PROJECT No.:	IDENTIFIER No.:	
D014630	SJW2016-022	
PLANT NAME AND LOCATION:	CAD DWG. No.:	REV: A
	PremVinylFixSS Cert	SHEET 4 OF 4